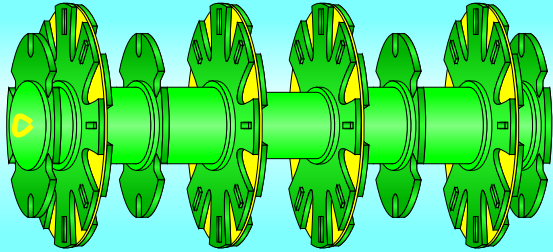


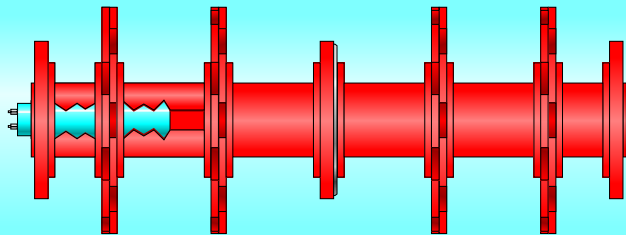
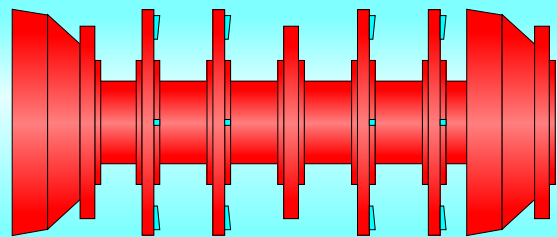
NOVA-CAST™

The new Knapp Nova-Cast™ Pig is a custom-designed, all-urethane one-piece, composite pig made to accommodate special pipeline configurations such as multiple diameters, offset fittings, spherical pigging valves, and subsea piggable wye fittings.



The Nova-Cast is available in configurations that allow the pig to pass through multiple-diameter piping while retaining the ability to scrape paraffin or remove condensates.

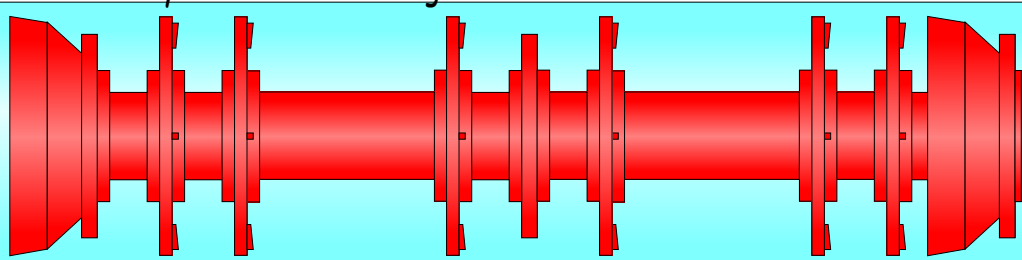
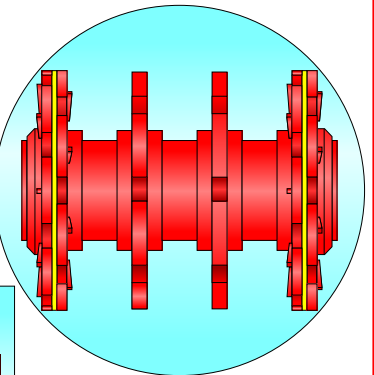
The Nova-Cast can be constructed with virtually limitless combinations of discs and cups of varying urethane hardnesses..



The Nova-Cast is available fitted with gauging plates and special holding cavities for acoustic pingers or electro-magnetic transmitters.

Or extended models made to pass through subsea piggable wyes or offset fittings.

The Nova-Cast is available in special short versions to fit spherical pigging valves.



Protected by U.S.
Patent No. 6,613,261

KNAPP™
POLLY PIG

e-mail: knapp@pollypig.com
www.pollypig.com

Knapp Document No. KPP-NC p1-v6, 10-29-03

1209 Hardy Street
Houston, TX 77020
Tel: 800/231-7205
713/222-0146
Fax: 713/222-7403

©2001-2003 KNAPP POLLY PIG, INC.